



AERONS (INDIA)

**AERONS
SPEAKER**

PROFESSIONAL AUDIO SYSTEM



PT185/22

2000W AES Power
35Hz - 2KHz Frequency Range
5 inch Voice Coil
98dB Sensitivity

GENERAL SPECIFICATIONS

Nominal Diameter	18inch
Nominal Impedance	8ohm
Minimum Impedance	5.3ohm
Nominal Power Handling	2000Watts
Continuous Power Handling	4000Watts
Sensitivity	98dB
Frequency Range	35-2KHz
Voice-coil Diameter	127.1mm
Voice-coil Material	Copper
Chassis Material	Aluminum
Magnet Diameter	280*25mm
Magnet Material	Ferrite

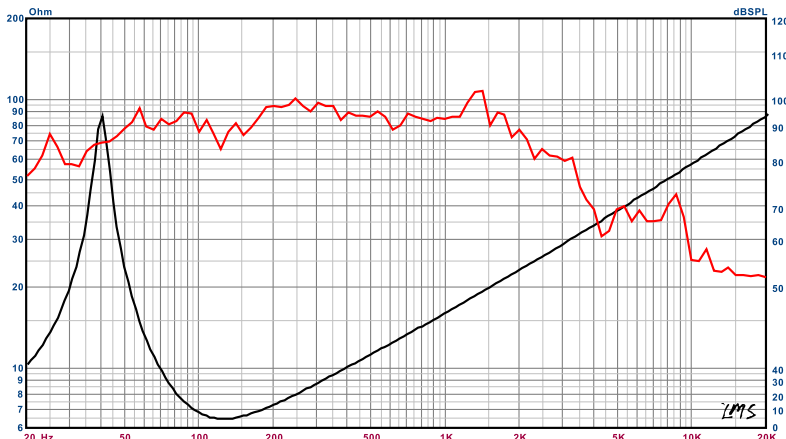
THIELE-SMALL PARAMETERS

Resonance Frequency	Fs	39Hz
DC Resistance	Rte	5.3ohm
Mechanical Factor	Qms	9.16
Electrical Factor	Qes	0.37
Total Factor	Qts	0.35
BL Factor	BL	27.8T-m
Effective Moving Mass	Mms	216gr
Equivalent Cas Air Load	Vas	141liter
Effective Piston Area	Sd	1.16k cm
Max. Linear Excursion	Xmax	10.1mm
Vibration velocity	Cms	0.07

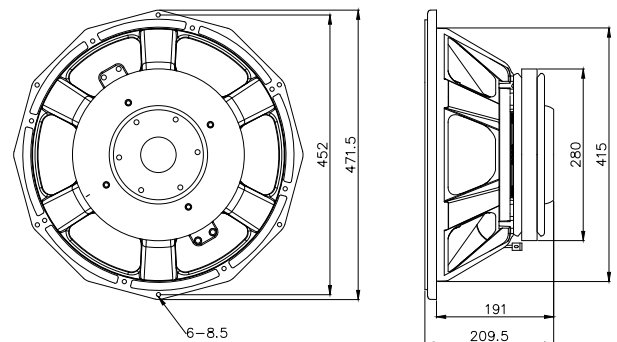
MOUNTING & SHIPPING INFORMATION

Overall Diameter	472mm
Baffle Cut-out Dia.	415mm
Bolt Circle Dia.	452mm
Gasket Thickness	19mm
Overall Depth	210mm
Net Weight	21.9kg

FREQUENCY RESPONSE AND IMPEDANCE CHART



DIMENSIONS (mm)



**AERONS
SPEAKER**

PROFESSIONAL AUDIO SYSTEM

www.aeronsindia.com