



**AERONS
SPEAKER**
PROFESSIONAL AUDIO SYSTEM



PRO154F03

1200W Program Power
44Hz - 2.5KHz Frequency Range
4 inch Voil Coil
98dB Sensitivity

GENERAL SPECIFICATIONS

Nominal Diameter	15" / 394 mm
Voice Coil Diameter	4" / 99.5 mm
Nominal Impedances	8 Ohms
Rating Power	600 W (RMS)
Program Power	1200 W
Sensitivity (1w - 1m)	98dB
Frequency Range	44 Hz - 2.5 kHz
Magnet Dimensions (OD x ID)	220 x 25 (mm)
Chassis Material	Aluminium
Magnet Material	Ferrite
Voice Coil Material	Copper
Former Material	TIL
Dust Dome Material	Paper
Cone / Surround Material	Paper /Colth
Magnet Gap heigh	12 mm / 0.47"
Voice Coil Winding height	12 mm / 0.47"
Recommended Enclosure Volume	97 litres
Connector Type	Push Button Spring Terminals

THIELE-SMALL PARAMETERS

Re	5.6Ω
Fs	43 Hz
Mms	149g
Cms	0.08 mm/N
Qms	6.911
Qes	0.452
Qts	0.424
Vas	97 litres
Le	1.0 mH
Sd	0.89K cm ²
BxL	22.7
Xmax	8.25 mm / 0.32"
Xmech (Ref. Efciency)	1.828 %

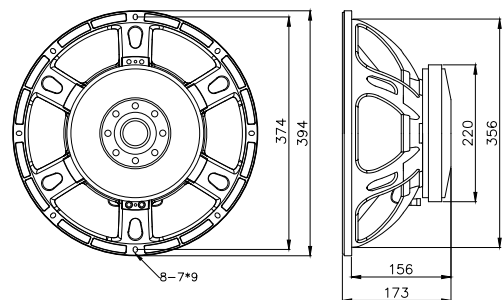
MOUNTING & SHIPPING INFORMATION

Overall Diameter	394mm
Bolt Circle Diameter	374mm
Mount Buffer Cut-out	356mm
Depth	173mm
Net Weight	11.2 kg

FREQUENCY RESPONSE AND IMPEDANCE CHART



DIMENSIONS (mm)



**AERONS
SPEAKER**
PROFESSIONAL AUDIO SYSTEM

www.aeronsindia.com