



**AERONS
SPEAKER**
PROFESSIONAL AUDIO SYSTEM

MB8FE200

200W RMS Power
60Hz - 1.8KHz Frequency Range
2 inch Voice Coil
96.1dB Sensitivity

GENERAL SPECIFICATIONS

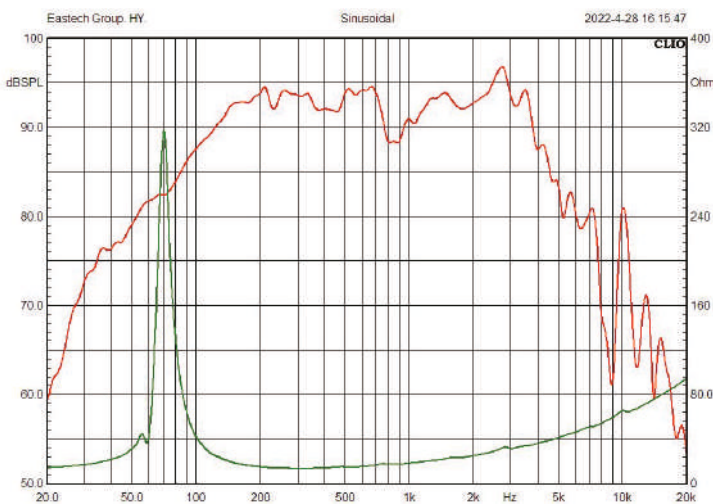
Nominal Diameter	8inch
Nominal Impedance	16ohm
Minimum Impedance	11 ohm
Nominal Power Handling	200Watts
Continuous Power Handling	400Watts
Sensitivity	96.1dB
Frequency Range	60-1.8KHz
Voice-coil Diameter	51.5mm
Voice-coil Material	CCAW
Kind of layer	out 2layers
Magnet Diameter	156*20mm
Magnet Material	Ferrite

THIELE-SMALL PARAMETERS

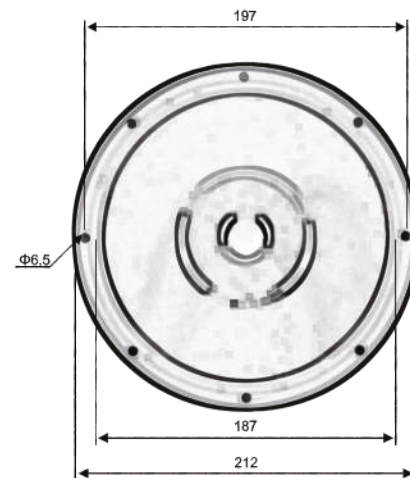
Resonance Frequency	Fs	70Hz
DC Resistance	Rte	11 ohm
Mechanical Factor	Qms	10.006
Electrical Factor	Qes	0.359
Total Factor	Qts	0.347
BL Factor	BL	15.740T-m
Effective Moving Mass	Mms	18.2gr
Equivalent Cas Air Load	Vas	26.28liter
Effective Piston Area	Sd	0.02 m
Max. Linear Excursion	Xmax	7mm
Vibration velocity	Cms	0.27

MOUNTING & SHIPPING INFORMATION

Overall Diameter	212mm
Baffle Cut-out Dia.	187mm
Bolt Circle Dia.	197mm
Gasket Thickness	9mm
Overall Depth	103mm
Net Weight	4.1kg



DIMENSIONS (mm)



**AERONS
SPEAKER**
PROFESSIONAL AUDIO SYSTEM

www.aeronsindia.com