

Audiocenter

Dynamic Audio Solutions

BrainCore™
Technology Inside

www.audiocenter.net

Together we are stronger



K-LA12A Active DSP-controlled Line Array

K-LA12A active DSP-controlled line array is a very compact system which is very flexible to use and with high efficiency and reliability. The system is perfectly integrated with Braincore™ technology, and fashionable design idea. It can be used in various venues and meet the mixed demands of different applications. The system is specially designed for touring performances and fixed installations like live sound, Touring systems, Clubs, Auditoriums, Theatres and House of Worship.



IMPORTANT FEATURES



Innovative BrainCore™ technology to improve the audio performance of the system

The innovative BrainCore™ technology and built-in powerful DSP processor improve the performance of the speaker. With Cort™ correction technology and Limita™ processing technology, the system works with safety and reliability and achieves supreme performance.



Innovative ETE™ Waveguide Technology

The innovative ETE™ waveguide technology realizes the perfect joint of frequency response, which provides the accurate horizontal coverage and ensures the well-balanced, clear and clean sound for the system.



Active Speaker DSP

Full range loudspeakers is built with 3 different presets, subwoofer is built with 3 different low-pass filters. Users can choose different presets or low-pass filters according to their needs via the buttons on the back panel.



Class D Amplifier

Adopts customized Class D amplifier together with switch mode power supply technology, which ensures the system for high efficiency, exquisite and compact outlook and advanced cooling.



Customized ProDriver

Latest speaker technology and customized driver ensure very clean and clear sound and impressive sound dynamic.



Advanced Cooling System

Moulded large heatsink improves the cooling efficiency, with the result of higher reliability of the system.



Solid Wood Cabinet

Optimized and compact CNC made cabinet of excellent wood is solid, very suitable for touring application.



Integrated Flyware

Integrated installation accessories built in the cabinet make it in installation flexibility.



Automatic Standby

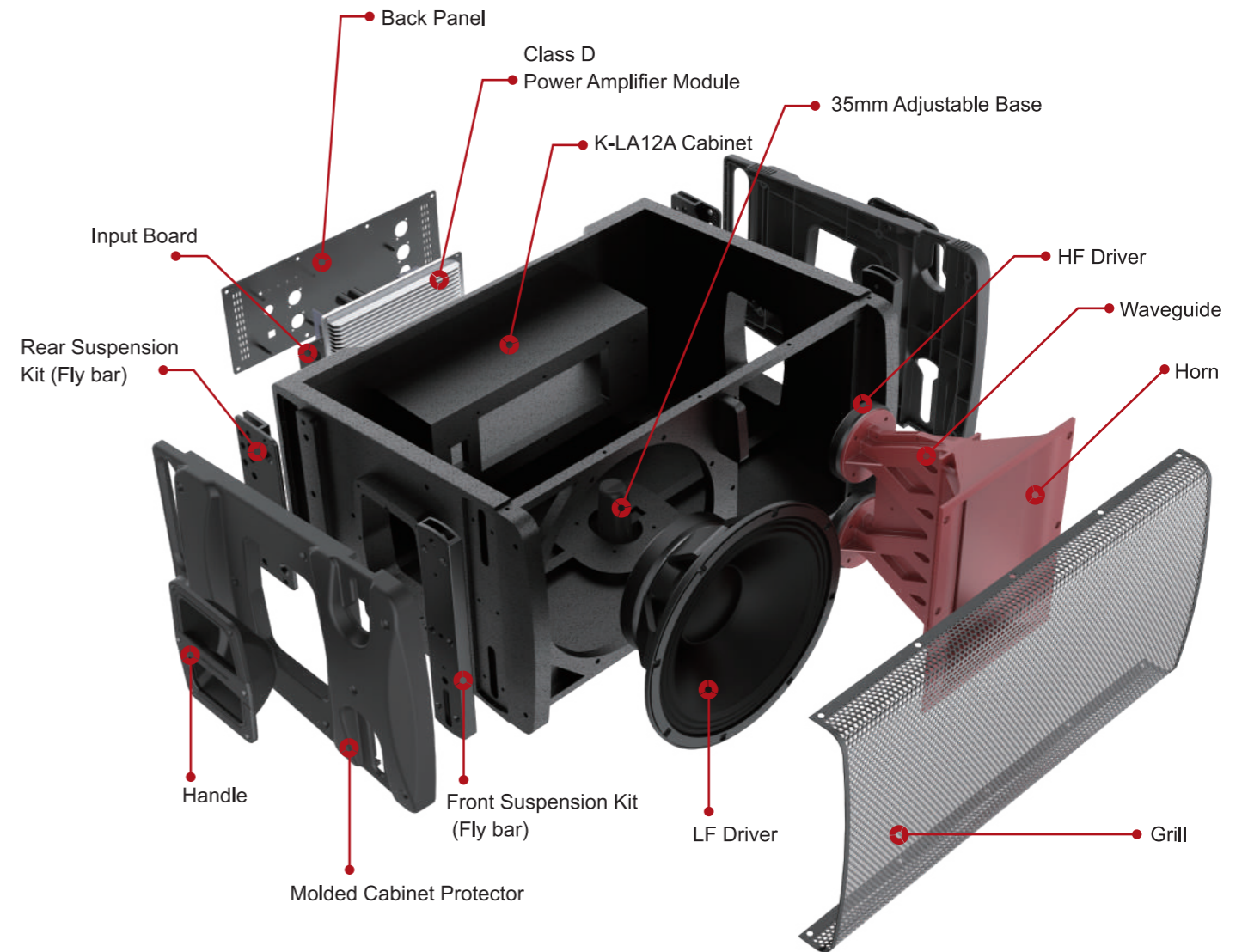
To save power, the system will enter into standby mode automatically if without signal input for 15 mins.



EASE GLL

We provide EASE GLL file for free.

INTERNAL STRUCTURE

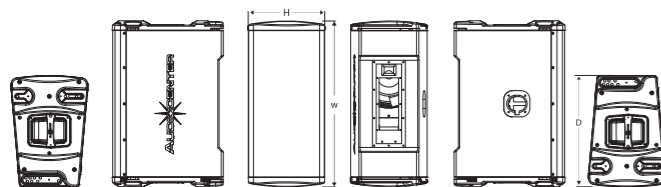


K-LA12A

The innovative Braincore™ technology and built-in powerful DSP processor improve the performance of the speaker. With Cort™ correction technology and Limita™ processing technology, the system works with safety and reliability and achieves supreme performance. Thanks to the innovative ETE™ wave guide design and technology, the system can achieve supreme sound performance, perfect sound coverage and excellent frequency response. With molded wave guide and molded horn to provide precise horizontal coverage and ensure clear and balanced sound for the system.

The cabinet is made with excellent wood, customized molded material, unique physical acoustic design, which make the outlook very fashionable, solid and also can lower the resonance.

K-LA12A speaker can fly with 10mm pin and customized flying frame. The integrated strong hardware makes the set up much easier and faster. Users can make free combinations for bigger or smaller system to meet the different application demands.



Dimension(W×H×D):698×324×468mm

FEATURES

- 2000W Peak Power
- Maximum SPL 135 dB
- Customized driver
- The innovative ETE™ waveguide technology can ensure excellent frequency response, to achieve very smooth transitions between HF and LF, which provides precise horizontal coverage and ensures clear and balanced sound for the system.
- Built in DSP with 96KHz signal sampling frequency, 56bit precision
- Standby mode automatically if without signal input for 15mins
- Class D amplifier
- Advanced cooling system in the driver
- 35mm base on the bottom, with 0° and 10° adjustable angle
- Optimized, compact and light weight cabinet design for easy usage
- Comprehensive accessories for different applications



SYSTEM CONFIGURATION

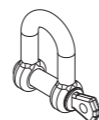
- K-LA218-DSP subwoofer



SPECIFICATION

Type	Active DSP-controlled full range loudspeaker
Frequency Response (-6dB anechoic chamber)	47Hz-19kHz
Maximum Calculated SPL/1M (Continuous/Peak)	129dB/135dB
LF Driver	Customized driver, 3"voice coil
HF Driver	2x Customized driver, 1"exit, 1,75"voice coil
Horizontal Coverage Angle (Symmetrical)	100°
Vertical Coverage Angle (Symmetrical)	Depend on the amount of the speaker and curvature of the line array
AMPLIFIER	
Amplifier Circuitry	Class D
Power(Peak)	2000W
Frequency Response (1W 8Ω 2ch)	20Hz-20KHz(±0.5dB)
Intermodulation Distortion	< 0.05%
Total Harmonic Distortion	< 0.05%
Protection	DC protection, short circuit protection, overheat protection, input overload protection, output overload protection, soft startup protection, overvoltage protection, undervoltage protection
Cooling System	Cooling with fans
DSP	
Processor	96KHz signal sampling frequency, 56bit precision
Presets	ARRAY2,ARRAY4,ARRAY6
Crossover	Controlled by DSP
Output/Input	
Signal Input	1× female XLR
Signal Output	1× male XLR
Power Input	Power connector
Power Output	Power connector
AC Power Operating Range	100V~130V or 220V~240V (±10%,50/60Hz)
Cabinet	
Angle Adjustment	0°,1°,2°,3°,4°,5°,6°,7°,8°,9°,10°
Cabinet Material	CNC made of excellent wood
Cabinet Color	Black is standard and default color. Consult with Audiocenter sales team for other customized colors
Dimension(W×H×D)	698×324×468mm
Net Weight	31.0Kg

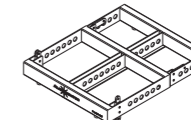
ACCESSORIES



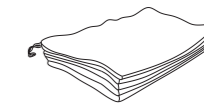
M20 D shackle
Bearing 3T



2M / 3M flying belt
Made of synthetic fibre, bearing 2T/4T



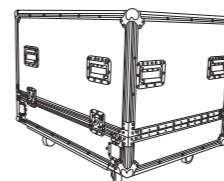
Frame for flying and ground stacking



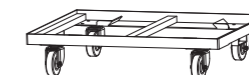
Rain bag(customized)



Coupling bar

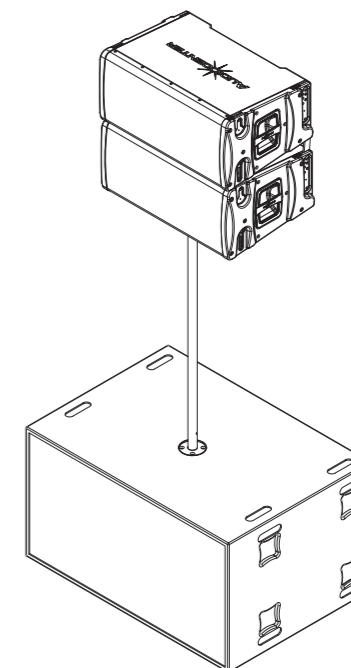
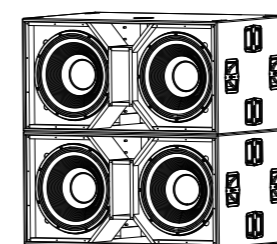
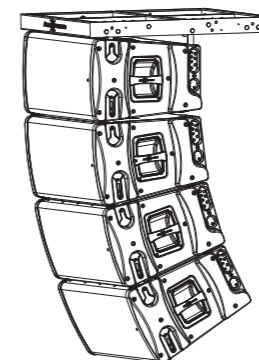


Flightcase
For 4 cabinets, with 100mm wheels



Dolly

INSTALLATIONS



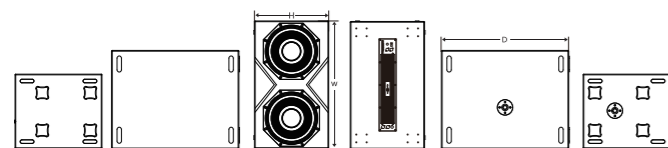
K-LA218-DSP

K-LA218-DSP, an active DSP-controlled Dual 18" subwoofer, is designed to meet the high requirements of touring performance, rental and fixed installation.

The LF drivers of K-LA218-DSP are two customized 18" drivers (4" voice coil).

User Selectable 3 low-pass filters (80Hz, 100Hz, 120Hz) in K-LA218-DSP are available for the users to choose according to different environments and music styles.

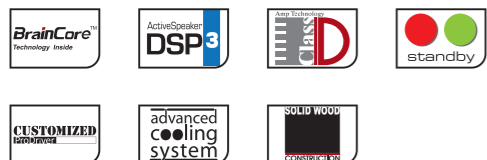
K-LA218-DSP is a perfect match for all Audiocenter full range speakers, extending band width of frequency response and delivering powerful, impressive, punchy bass sound.



Dimension(W×H×D): 1080×595×760mm

FEATURES

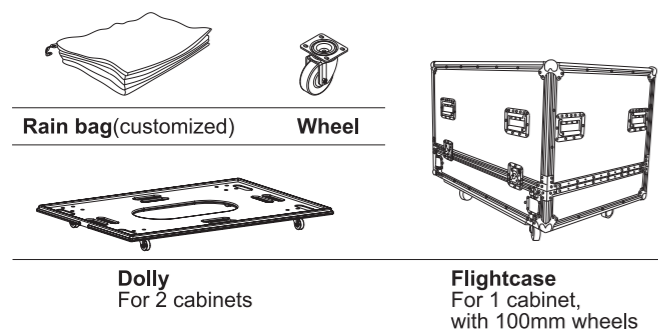
- Hi end digital controller on board(DSP) with 96kHz signal sampling frequency, 56bit precision
- Standby mode automatically if without signal input for 15mins
- Class D amplifier
- Advanced cooling system in the driver
- Rock solid humidity free birch plywood CNC made cabinet
- Comprehensive accessories suitable for different applications



SYSTEM CONFIGURATION

- K-LA12A,K-LA/K-LA-DSP Series line array

ACCESSORIES



SPECIFICATION

Type	Active DSP-controlled Compact Subwoofer
Frequency Response (-6dB anechoic chamber)	32Hz-400Hz
Maximum Calculated SPL/1M (Continuous/Peak)	135dB/141dB
LF Driver	Customized 18" driver, 4"voice coil
AMPLIFIER	
Amplifier Circuitry	Class D
Power(RMS standards)	2800W
Frequency Response (1W 8Ω 2ch)	20Hz-20kHz(±0.5dB)
Intermodulation Distortion	< 0.05%
Total Harmonic Distortion	< 0.05%
Protection	DC protection, short circuit protection, overheat protection, input overload protection, output overload protection, soft startup protection, overvoltage protection, undervoltage protection
Cooling System	Cooling with fans
DSP	
Processor	96kHz signal sampling frequency, 56bit precision
Presets	80Hz, 100Hz, 120Hz
Crossover	Controlled by DSP
Output/Input	
Signal Input	1× female XLR
Signal Output	1× male XLR
Power Input	Power connector
AC Power Operating Range	100V~130V or 220V~240V (±10%,50/60Hz)
Cabinet	
Cabinet Material	Russian birch plywood CNC made
Cabinet Color	Black is standard and default color. Consult with Audiocenter sales team for other customized colors
Dimension(W×H×D)	1080x595x760mm
Net Weight	101.0Kg

■ K-LA12A & K-LA218-DSP Specifications

SPECIFICATIONS	K-LA12A	K-LA218-DSP
Frequency Response (-6dB anechoic chamber)	47Hz-19kHz	32Hz-400Hz
Horizontal Coverage Angle (Symmetrical)	100°	/
Vertical Coverage Angle (Symmetrical)	Depend on the amount of the speaker and curvature of the line array	/
Maximum Calculated SPL/1M	Continuous	129dB
	Program	132dB
	Peak	135dB
Drivers	HF	2 x Customized driver, 1.75" voice coil
	LF	Customized driver, 3" voice coil
Crossover and Slope	Controlled by DSP	
Signal Input / Signal Output	Female XLR input, male XLR output	
Power Input	Powercon connector	
Power Output	Powercon connector	/
AC Power Operating Range	100V~130V or 220V~240V (±10%,50/60Hz)	

DSP		
Processor	96kHz signal sampling frequency,56bit precision	
Presets	ARRAY2,ARRAY4,ARRAY6	80Hz, 100Hz, 120Hz

AMPLIFIER		
Amplifier	Class D	
Peak Power	2000W	2800W
Frequency Response (1W 8Ω 2ch)	20Hz-20kHz(±0.5dB)	
Intermodulation Distortion (20Hz-20kHz, half power)	<0.05%	
Total Harmonic Distortion (20Hz-20kHz, rated power 8Ω)	<0.05%	
Cooling	Fans + air convection	
Protection	DC protection / Short circuit protection / Overheat protection / Output overload protection / Soft startup protection / Overvoltage protection / Undervoltage protection	

CABINET		
Cabinet	CNC made of excellent wood	Russian birch plywood CNC made
Optional Accessories	Flightcase with 100mm wheels,Durable rain bag, D shackle,Fly belt,Flying frame,Coupling bar,Dolly	Flightcase with 100mm wheels, Durable rain bag,Wheel,Dolly
Dimensions(W×H×D)	698×324×468mm	1080×595×760mm
Net Weight	31.0Kg	101.0Kg
Technical Support and After-sales Service	Global application support team, EASE GLL files	

■ All content subject to change without notice. All rights reserved. AC - K-LA12A - 202211