



AERONS (INDIA)

**AERONS
SPEAKER**
PROFESSIONAL AUDIO SYSTEM



PRO185F04

2000W RMS Power
36Hz - 1.5KHz Frequency Range
5.2 inch Voice Coil
97dB Sensitivity
280*25mm magnet

GENERAL SPECIFICATIONS

Nominal Diameter	18inch
Nominal Impedance	8ohm
Minimum Impedance	6.2ohm
Nominal Power Handling	2000Watts
Continuous Power Handling	4000Watts
Sensitivity	97dB
Frequency Range	36-1.5KHz
Voice-coil Diameter	130.06mm
Voice-coil Material	Copper
Voice-coil Winding Depth	28 mm
Effective Diaphragm Diameter	212mm
Kind of layer	In/out
Number of layers	1
Top Plate Thickness	20mm
Spider	Double Silicone
Flux Density	1.15T
Magnet Diameter	280*25mm
Magnet Material	Ferrite
Magnet Grade	Y35
Magnet Gap Depth	12

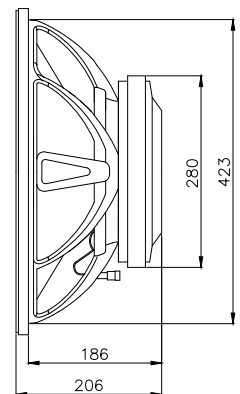
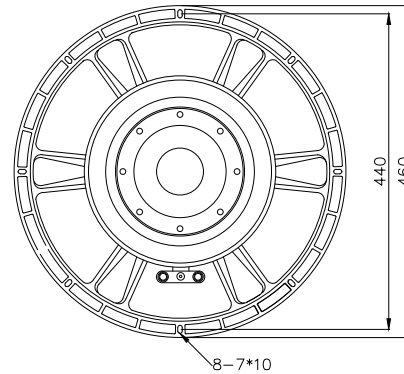
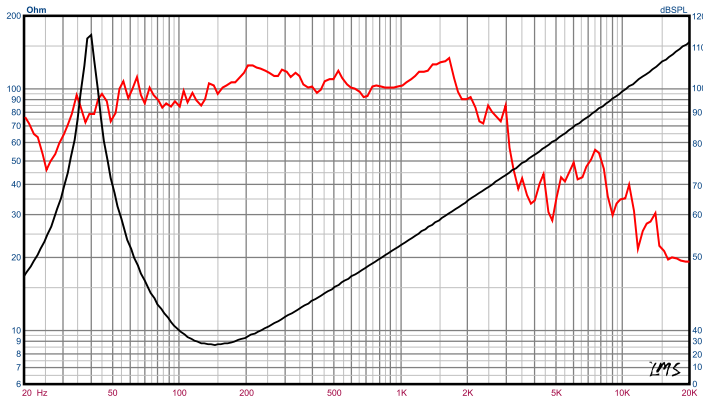
THIELE-SMALL PARAMETERS

Resonance Frequency	Fs	36Hz
DC Resistance	Rte	6.2ohm
Mechanical Factor	Qms	8.5
Electrical Factor	Qes	0.32
Total Factor	Qts	0.31
BL Factor	BL	33.2T-m
Effective Moving Mass	Mms	230gr
Equivalent Cas Air Load	Vas	149liter
Effective Piston Area	Sd	1.225 m ²
Max. Linear Excursion	Xmax	11mm
Half Space Efficiency	Eff	2.78%
Efficiency Bandwidth Product	EBP	121
Compliance Value	Cms	0.07

MOUNTING & SHIPPING INFORMATION

Overall Diameter	460mm
Buffer Cut-out Dia.	423mm
Bolt Circle Dia.	440mm
Bolt Hole Dia.	7.0mm
Gasket Thickness	20mm
Overall Depth	240mm
Magnet Dia.	280mm
Net Weight	19.2 kg

FREQUENCY RESPONSE AND IMPEDANCE CHART



**AERONS
SPEAKER**
PROFESSIONAL AUDIO SYSTEM

www.aeronsindia.com